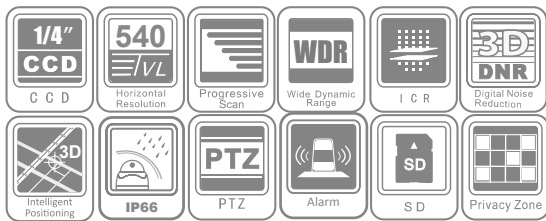


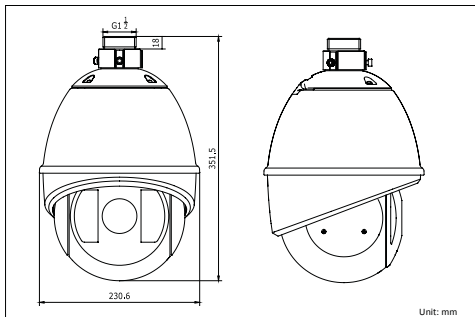
DS-2DF1-715/717-B IR WDR Network High Speed Dome



Key features

- 1/4" Sony EXVIEW HAD progressive scan CCD
- 128x wide dynamic range
- True day / night
- 80m IR range
- 3D intelligent positioning function
- 3D digital noise reduction
- IP66 rating

Dimensions



Accessories



DS-1614ZJ
(Long-arm Wall Mount Bracket)

Specifications

	DS-2DF1-715-B (outdoor)	DS-2DF1-717-B (outdoor)
Camera		
Image sensor	1/4" Sony EXVIEW HAD progressive scan CCD	1/4" SONY EXVIEW HAD progressive scan CCD
Effective pixel	PAL: 752 (H) × 582 (V), NTSC: 768 (H) × 494 (V)	
Horizontal resolution	Color: 540 TVL, B/W: 570 TVL	
Signal system	PAL / NTSC	
Min. illumination	Color: 0.065Lux/F1.35, B/W: 0.0065Lux/F1.35, 0 Lux with IR	Color: 1.4Lux/F1.6, B/W: 0.01Lux/F1.6, 0 Lux with IR
White balance	Auto / Manual / ATW / Indoor / Outdoor / Outdoor Auto / sodium lamp	
AGC	Auto / manual	
S / N ratio	≥ 50dB	
BLC	On / Off	
WDR	128x (on / off / auto)	
Anti-shake	On / off	
Shutter time	PAL: 1/3 ~ 1/10,000s, NTSC: 1/4 ~ 1/10,000s	
Day & night	IR cut filter	
Digital zoom	12x	
Privacy mask	24 privacy masks programmable	
Focus model	Auto / semi-automatic / manual	
Lens		
Focal length	3.5 - 98mm, 28x	3.4 - 122.4mm, 36X
Zoom speed	Approx. 1.7s (optical Wide-Tele)	Approx. 2.7s (Optical Wide-Tele)
Angle of view	55.8 - 2.1° (Wide-Tele)	57.8 - 1.7° (Wide-Tele)
Min. working distance	10 - 1,500mm (Wide-Tele)	320 - 1,500mm (Wide-Tele)
Aperture range	F1.35 - F3.7	F1.6 - F4.5
Pan and tilt		
Pan range	360° endless	
Pan speed	Pan manual speed: 0.1° - 160°/s, pan preset speed: 240°/s	
Tilt range	-10° - 90° (auto flip)	
Tilt speed	Tilt manual speed: 0.1° - 120°/s, tilt preset speed: 200°/s	
Proportional zoom	Rotation speed can be adjusted automatically according to zoom multiples	
Number of preset	256	
Patrol	8 patrols, up to 32 presets per patrol	
Pattern	4 patterns, with the recording time not less than 10 min per pattern	
Power-off memory	Support	
Park action	Preset / patrol / pattern / pan scan / tilt scan / random scan / frame scan / panorama scan	
PTZ position display	On / off	
Freeze frame	Support	
Infrared		
IR irradiation distance	80m	
IR irradiation angle	Adjustable by zoom	
Alarm		
Alarm input	2 (7 alarm inputs optional)	
Alarm output	2 relay outputs, alarm response actions configurable	
Alarm action	Preset, patrol, pattern, SD/SDHC card recording, relay output, notification on client	
Input/ Output		
Monitor output	1.0V[p-p] / 75Ω, NTSC (or PAL) composite, BNC	
Audio input	Audio input (LINE input), 2-2.4V[p-p]; output impedance: 1KΩ, ±10%	
Audio output	Line level, impedance: 600Ω	
Network		
Ethernet	10 base-T / 100 base-TX	
Max. image resolution	PAL: 704 × 576, NTSC: 704 × 480	
Frame rate	PAL: 25fps (704 × 576), NTSC: 30fps (704 × 480)	
Image compression	H.264	
Audio compression	G.711 / 16kbps	
Audio mode	Off / audio input / audio output	
Protocols	TCP/IP, HTTP, DHCP, DNS, RTP/RTCP, RTSP, PPPoE, SMTP, NTP (FTP, SNMP optional)	
No. of simultaneous users	Up to 6 users	
Dual streams	Support	
Mini SD memory card	Manual REC / alarm REC. Built-in SD/SDHC slot, up to 32GB	
User / Host level	3 levels: administrator, camera control, live view only	
Security measures	User authentication (ID and PW), host authentication (MAC address)	
Client GUI		
Camera control	Pan / tilt, zoom, focus, click centering, drag zoom, iris, preset position call and program, auto mode.	
Camera name	Up to 18 characters	
Date & time display	Time: week: date, 6 formats on the client	
Reading patrol message	Display and reading of preset message contained in each patrol via client software	
Fiber interface (available for fiber dome only)		
Data mode	10 base-T / 100 base-TX	
Physical interface	FC (SC optional)	
Fiber wavelength	TX1310 / RX1550nm	
Fiber type	Single fiber / single mode	
Transmission distance	20km, with 40km, 60km and 80km optional	
General		
Menu language	English, Chinese	
RS-485 protocols	HIKVISION, Pelco-P, Pelco-D, self-adaptive	
Power supply	24 VAC (12 VDC optional)	
Power consumption	50W max	
Working temperature / humidity	-30 °C ~ 65 °C (-22 °F ~ 149 °F), 90% or less	
Protection level	IP66 standard, TVS 3,000V lightning protection, surge protection and voltage transient protection	
Mounting	Various mounting modes optional	
Dimensions	Φ 230.6 × 351.5mm (Φ 9.08" × 13.84")	
Weight (approx.)	5.5kg (12.13lbs)	