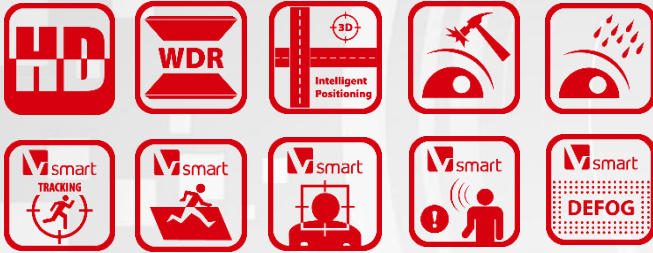


## DS-2DF723015-AEL(W) 2MP 30X Network Laser PTZ Dome Camera



### smart PTZ

Hikvision Laser smart PTZ Dome Cameras DS-2DF723015-AEL(W)

are able to capture high quality images in dim light environment with its laser IR light, which can reach up to 500m IR distance. Embedded with 1/2.8" progressive scan CMOS chip makes DWDR and 2MP real-time resolution possible. With the 30X optical zoom Day/Night lens, the camera offers more details over expansive areas.

Hikvision Laser smart PTZ Dome Cameras DS-2DF723015-AEL(W)

also features a wide range of smart functions, including face detection, intrusion detection, line crossing detection and audio exception, benefitting users with great improvement on security efficiency, more importantly, with key events / objects being recorded for further forensic needs. These features, combined with smart tracking, which enables the camera to detect any progressively moving object and follow it within the camera's area of coverage without fault. Smart Defog and EIS (Electronic Image Stabilization) are further supported to improve image quality in challenging conditions.

### Key Features

- 1/2.8" HD CMOS sensor
- 1920\*1080P Full HD, 30X Optical Zoom
- DWDR
- Smart Tracking
- Smart Detection
- EIS (Electronic Image Stabilization)
- Defog
- 500m IR distance
- 24VAC power supply
- Optional wiper(-W)



# DS-2DF7230I5-AEL(W)

## 2MP 30X Network Laser PTZ Dome Camera



### Function Description

#### IR function:

- 0 Lux minimum illumination
- High performance laser IR LED, up to 500m IR distance
- IR light MTBF reaching up to 30,000 hours

#### Basic function:

- High performance CMOS, up to 1920x1080 resolution
- Support smart tracking
- $\pm 0.1^\circ$  Preset Accuracy
- ONVIF(Open Network Video Interface Forum), CGI(Common Gateway Interface), PSIA(Physical Security Interoperability Alliance), to ensure greater interoperability between different platforms and compatibility
- 3D intelligent positioning function
- 3D DNR
- Power-off memory function: restore PTZ & Lens status after reboot
- IP66 standard
- Scheduled PTZ movement
- Optional wiper(-W)

#### Smart function:

- Smart tracking modes: Manual/ Panorama/ Intrusion trigger/ Line crossing trigger/ Region entrance trigger/ Region exiting trigger, support smart tracking when patrol between multiple scenarios
- Smart detection: support Face detection, Intrusion detection, Line crossing detection, Audio exception detection, Region entrance detection, Region exiting detection
- Smart recording: support edge recording, support smart search in smart NVR
- Smart image processing: support defog, HLC, smart IR, EIS
- Smart codec: low bit rate, ROI

#### Camera function:

- Auto iris, auto focus, auto white balance, backlight compensation and auto day & night switch
- Min. Illumination: 0.02Lux@(F1.6,AGC ON)(Color), 0.002Lux@(F1.6,AGC ON)(B/W)

- Support privacy mask with multiple colors and mosaics on polygonal areas

#### PTZ function:

- 360° endless pan range and  $-2^\circ$   $-90^\circ$  tilt range
- 240° /s Pan Preset Speed and 200° /s Tilt Preset Speed
- 0.1°  $-160^\circ$  /s Manual Pan Speed and 0.1°  $-120^\circ$  /s Manual Tilt Speed
- 300 presets programmable; preset image freezing capability
- 8 patrols, up to 32 presets per patrol
- 4 patterns, with the recording time not less than 10 minutes per pattern
- Proportional zoom function
- Park action: auto call up of PTZ movement, after a defined time of inactivity
- 7 alarm inputs and 2 alarm outputs

#### Network function:

- H.264/MJPEG/MPEG4 video compression and the latest Davinci processing chip and platform
- Support H.264 encoding with Baseline/Main/High profile
- ROI(Region of Interest) encoding(support 24 areas with adjustable levels)
- Built-in Web server
- Micro SD/SDHC/SDXC card local storage, up to 128GB
- Support up to 8 NAS storage; Edge recording(transmit the videos from SD card to the NAS after network resumed)
- HTTPS encryption and IEEE 802.1X port-based network access control
- Support three-stream; Basic and advanced video configuration; Real time video at 1080P/960P/720P
- Multiple network protocols supported: IPv4/IPv6, HTTP, HTTPS, 802.1X, Qos, FTP, SMTP, UPnP, SNMP, DNS, DDNS, NTP, RTSP, RTP, TCP, UDP, IGMP, ICMP, DHCP, PPPoE
- 1 audio input and 1 audio output

# DS-2DF7230I5-AEL(W)

## 2MP 30X Network Laser PTZ Dome Camera



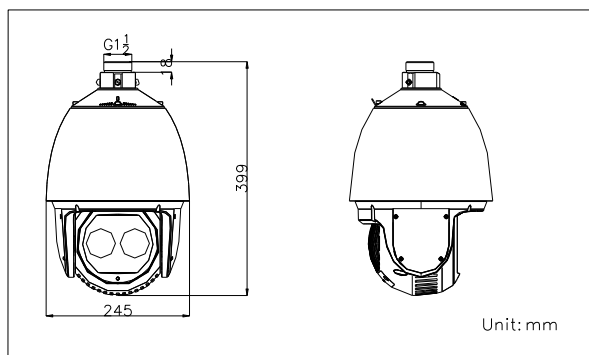
<b>Model</b>	<b>DS-2DF7230I5-AEL(W)</b>
<b>Camera Module</b>	
Image Sensor	1/2.8" Progressive Scan CMOS
Min. Illumination	F1.6, 1/1 sec, 50 IRE, AGC On: Color : 0.02 lux; B/W : 0.002 lux; 0 lux with IR F1.6, 1/30 sec, 50 IRE, AGC On: Color : 0.3 lux; B/W : 0.02 lux; 0 lux with IR
Max. Image Resolution	1920×1080
Focal Length	4.3-129mm, 30x
Digital Zoom	16X
Zoom Speed	Approx.3s(Optical Wide~Tele)
Angle of View	57.4-2.8 degree (Wide~Tele)
Min. Working Distance	10-1500mm(Wide~Tele)
Aperture Range	F1.6~F5.0
Focus Mode	Auto / Semiautomatic / Manual
Digital WDR	Support
S / N Ratio	≥ 55dB
Shutter Time	50Hz: 1~1/30,000s; 60Hz: 1~1/30,000s
AGC	Auto / Manual
White Balance	Auto / Manual / ATW/Indoor/Outdoor/Daylight lamp/Sodium lamp
Day & Night	IR Cut Filter
Privacy Mask	24 privacy masks programmable; optional multiple colors and mosaics
Enhancement	3D DNR, EIS, Defog, HLC/BLC
<b>Pan and Tilt</b>	
Range	Pan:360° endless; Tilt: -2°~90° (Auto Flip )
Speed	Pan Manual Speed: 0.1~160°/s, Pan Preset Speed: 240°/s Tilt Manual Speed: 0.1~120°/s, Tilt Preset Speed: 200°/s
Number of Preset	300
Patrol	8 patrols, up to 32 presets per patrol
Pattern	4 patterns, with the recording time not less than 10 minutes per pattern
Park Action	Preset / Patrol / Pattern / Pan scan / Tilt scan / Random scan / Frame scan / Panorama scan
Scheduled Task	Preset / Patrol / Pattern / Pan scan / Tilt scan / Random scan / Frame scan / Panorama scan/Dome reboot/Self-test action/Alarm output
<b>Smart Features</b>	
Smart tracking	Manual/ Panorama/ Intrusion trigger/ Line crossing trigger/ Region entrance trigger/ Region exiting trigger Smart tracking when patrol between multiple scenarios
Smart detection	Face detection, Intrusion detection, Line crossing detection, Audio exception detection, Region entrance detection, Region exiting detection
ROI encoding	Support 24 areas with adjustable levels
<b>Infrared</b>	
IR Distance	500m
IR Intensity	Automatically adjusted, depending on the zoom ratio
<b>Alarm</b>	
Alarm I/O	7/2
Alarm Trigger	Face detection, Intrusion detection, Line crossing detection, Region entrance, Region exiting, Audio exception detection, Motion detection, Dynamic analysis, Tampering alarm, Network disconnect, IP address conflict, Storage exception
Alarm Action	Preset, Patrol, Pattern, Micro SD/SDHC card recording, Relay output, Notification on Client, Send Email, Upload to FTP, Trigger Channel
<b>Input/Output</b>	
Monitor Output	1.0V[p-p] / 75Ω, NTSC (or PAL) composite, BNC
Audio Input	1 Mic in/Line in interface, line input: 2-2.4V[p-p]; output impedance: 1KΩ, ±10%
Audio Output	1 Audio output interface, line level, impedance: 600Ω
<b>Network</b>	
Ethernet	10Base-T / 100Base-TX, RJ45 connector
Main Stream	50Hz: 25fps(1920×1080, 1280×960, 1280×720); 60Hz: 30fps(1920×1080, 1280×960, 1280×720)
Sub Stream	50Hz: 25fps(704×576, 352×288, 176×144); 60Hz: 30fps(704×480, 352×240, 176×120)
Third Stream	50Hz: 25fps(1920×1080, 1280×960, 1280×720, 704×576, 352×288, 176×144) 60Hz: 30fps(1920×1080, 1280×960, 1280×720, 704×480, 352×240, 176×120)
Image Compression	H.264/MJPEG/MPEG4, H.264 encoding with Baseline/Main/High profile

# DS-2DF7230I5-AEL(W) 2MP 30X Network Laser PTZ Dome Camera



Audio Compression	G.711ulaw/G.711alaw/G.726/MP2L2/G.722
Protocols	IPv4/IPv6, HTTP, HTTPS, 802.1X, QoS, FTP, SMTP, UPnP, SNMP, DNS, DDNS, NTP, RTSP, RTP, TCP, UDP, IGMP, ICMP, DHCP, PPPoE
Simultaneous Live View	Up to 20 users
Mini SD Memory Card	Manual REC / Alarm REC, Built-in Micro SD/SDHC/SDXC card Slot, up to 128GB, Edge recording
User/Host Level	Up to 32 users, 3 Levels: Administrator, Operator and User
Security Measures	User authentication (ID and PW); Host authentication (MAC address); IP address filtering
<b>System Integration</b>	
Application programming	Open-ended API, support ONVIF, PSIA and CGI, Genetec
Web Browser	IE 7+, Chrome 18+, Firefox 5.0+, Safari 5.02+, support multi-language
RS-485 Protocols	HIKVISION, Pelco-P, Pelco-D, self-adaptive
Power	Hi-PoE&24 VAC, IS: Max. 45W
Working Temperature	-40° C ~ 65° C (-40° F ~ 149° F)
Humidity	90% or less
Protection Level	IP66 standard (outdoor dome), TVS 6,000V lightning protection, surge protection and voltage transient protection
Certification	FCC, CE, UL, RoHS, IEC/EN 61000, IEC/EN 55022, IEC/EN 55024, IEC/EN60950-1
Dimensions	Φ245×399mm (Φ9.65"×15.71")
Weight (approx.)	6.5kg(14.33lbs)
Mount Option (only suitable for outdoor dome)	Long-arm wall mount: DS-1602ZJ; Corner mount: DS-1602ZJ-Corner; Pole Mount: DS-1602ZJ-pole; Power box mount: DS-1602ZJ-box; Swan-neck mount: DS-1619ZJ

## Dimensions



## Accessories



DS-1602ZJ  
Wall Mount



DS-1602ZJ-Corner  
Conner Mount



DS-1602ZJ-Pole  
Pole Mount



DS-1602ZJ-Box  
Box Mount



DS-1663ZJ  
Ceiling mount



DS-1661ZJ  
Pendant mount



DS-1662ZJ  
Pendant mount



DS-1619ZJ  
Swan-neck Mount



DS-1100KI  
Network Keyboard



DS-1005KI  
USB Joy-stick