

## IPC-B200-D

### 1.0 MP CMOS ICR Network Bullet Camera



#### Key Features

- 1/4" progressive scan CMOS
- Up to 1.0 megapixel
- 4 mm/6 mm fixed focal lens
- Up to 30 m IR distance
- Dual stream
- Digital wide dynamic range
- 3D DNR (Digital Noise Reduction)
- IP67
- Mobile monitoring via mobile application

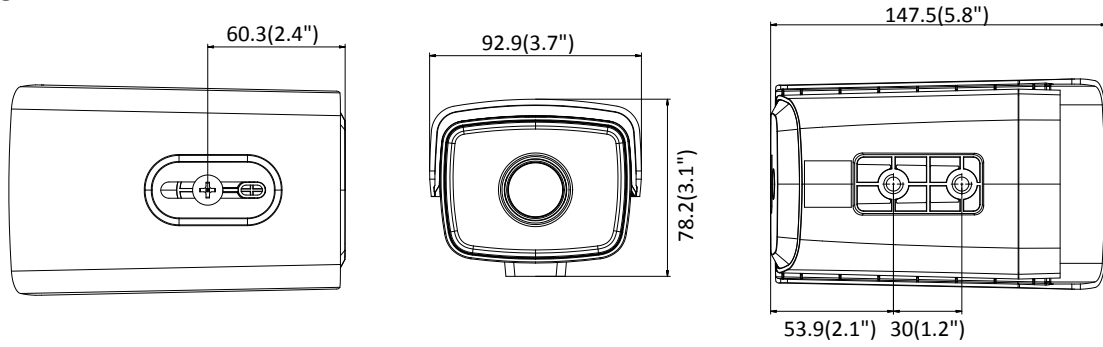
## Specifications

<b>Camera</b>	
Image Sensor	1/4" progressive scan CMOS
Min. Illumination	0.01 Lux @(F1.2, AGC ON), 0 Lux with IR
Shutter Speed	1/3 s to 1/10,000 s
Lens	4 mm, horizontal view angle: 73.1° (6 mm optional)
Lens Mount	M12
Day & Night	IR cut filter with auto switch
DNR (Digital Noise Reduction)	3D DNR
WDR (Wide Dynamic Range)	Digital WDR
<b>Compression Standard</b>	
Video Compression	H.264
H.264 Type	Baseline Profile/Main Profile
Video Bit Rate	32 Kbps to 8 Mbps
Dual Streams	Support
<b>Image</b>	
Max. Resolution	1280 × 720
Main Stream	50Hz: 25fps @(1280 × 720) 60Hz: 30fps @(1280 × 720)
Sub-stream	50Hz: 25fps @(704 × 576) 60Hz: 30fps @(704 × 576)
Others	Mirror, BLC (area configurable), brightness, contrast, saturation
<b>Network</b>	
Detection	Motion detection
Alarms	Video tampering, network disconnected, IP address conflicted
Protocols	TCP/IP, ICMP, HTTP, HTTPS, FTP, DHCP, DNS, DDNS, RTP, RTSP, RTCP, NTP, UPnP, SMTP, SNMP, IGMP, 802.1X, QoS, IPv6, Bonjour
Standard	ISAPI
General Function	Anti-Flicker, dual stream, heartbeat, mirror, password protection, privacy mask, watermark
<b>Interface</b>	
Communication Interface	1 RJ45 10M/100M Ethernet port
<b>General</b>	
Operating Conditions	-30 °C to 60 °C (-22 °F to 140 °F), humidity 95% or less (non-condensing)
Power Supply	12 VDC ± 10%
Power Consumption	12 VDC, 0.33 A, Max. 4 W
IR Distance	Up to 30 m
Protection Level	IP67
Dimensions	147.5 mm × 78.2 mm × 92.9 mm (5.8" × 3.1" × 3.7")
Weight	Approx. 350 g (0.8 lb.)

## Available Models

IPC-B200-D

## Dimension



Unit: mm

## Accessories



DS-1296ZJ (Standard)  
Wall Mounting Bracket



DS-1299ZJ (Optional)  
Pendent Mounting Bracket