

RF3403IR-A

4 Megapixel WDR In-/Outdoor & Vandal Proof IR Dome IP Camera

- H.264 & MJPEG triple-video-stream, two way Audio
- Max 20fps@4MP (2688x1520) / max 25fps@3MP (2304x1296)
- True Day/Night and extended WDR (120dB)
- 2.7~12mm lens with remote zoom and focus, one click focus
- **ONVIF / PSIA** support, PoE (IEEE 802.3af)
- IK-10 Vandal Resistance / P67 Water Protection
- Integrated IR LEDs, max distance 50m
- Micro SD memory interface, 1x input /1x output contact



Specifications

CAMERA		VIDEO	
Image Sensor	1/3" 4 Megapixel CMOS	Resolution	4MP=2688x1520, 4MP=2560x1440, 3MP=2304x1296, 1080P=1920x1080, 1.3MP=1280x 960, 720P=1280x720, D1=704x576, CIF=352x288
Effective Pixels	2688(H) x 1520(V)	Configurable Frame Rate / Resolution	First Stream: 4MP up to 20fps 3MP/1080P/1.3MP/720P up to 25fps Second Stream: D1/CIF up to 25fps Third Stream: 720P/D1/CIF up to 25fps*
Scanning System	Progressive scanning	Burnt-in Text	Time-Date / Name / Text - flexible display position
Electronic Shutter Speed	1/4 ~ 1/100000	Analog Video Output	PAL Signal (1.0Vp-p, 75Ω)
Shutter Exposure Modes	Automatic/Manual – with selectable fixed shutter speed or configurable min/max shutter speed range Presetting - Low Noise / Low Motion Blur Flicker-Control – Outdoor/50/60Hz	AUDIO	
Minimum Illumination	Color: 0.01Lux, F1.4 B/W: IR LED On: 0Lux, F1.4	Compression Format	G.711a /G.711u /AAC
S/N Ratio	Better than 50dB	Interface	1/1 line in/out terminal
CAMERA FEATURES		NETWORK	
White Balance	Auto / Sunny/ Night / Outdoor / Manual	Ethernet	RJ-45 (10/100Base-T)
Gain Control	Auto / Manual (configurable level 0-100)	Protocol	IPv4/IPv6, HTTP, HTTPS, SSL, TCP/IP, UDP, UPnP, ICMP, IGMP, SNMP, RTSP, RTP, SMTP, NTP, DHCP, DNS, PPPOE, DDNS, FTP, IP Filter, QoS, Bonjour, 802.1x
Day /Night	Auto / Manual (3 predesigned switching levels selectable) - removable IR Cut Filter	ONVIF / PSIA	Version 2.4.0 (Profile S) / PSIA compliant
Backlight Compensation	BLC On/Off (flexible configurable zone for BLC)	Users Connection	Live viewing for up to 20 clients
Wide Dynamic Range	True WDR with extended dynamic range up to 120dB	Security	Multi-level user access with password protection MAC address, IP address or address range filtering function for limit access
Image Settings	Configurable brightness, contrast, saturation, sharpness, vertical flip & horizontal mirror Corridor Mode (-90° / +90° image flip)	GENERAL	
3D Noise Reduction	Configurable digital noise reduction 1-100	Memory Interface	1x Micro SD/SDHC slot, up to 128GB support. Search interface for event and continuities records, playback and file download (card not included).
Motion Detection	4 zones with independent setting for detection sensitivity and alarm trigger threshold	I/O Terminal	1x input contact / 1x output contact
Privacy Masking Zones	4 flexible configurable regions	IR Working Distance	Up to 50m
LENS		Event Sources	- Smart video object detection - Motion detection - Video tamper - DI contact - Audio detection
Lens	2.7(w) – 12mm(t), DC Auto Iris, Motorized Focus & Zoom Control – One Click Focus Function	Event Actions	- Notification service via email message with snapshot, - DO-contact - Video clip / snapshot upload on external FTP server / NAS - Local SD memory card recording
Max Aperture	F1.4	Approvals	FCC, CE, RoHs, IP67, IK10
Angle of View	Horizontal angle: 100°(wide) ~ 33°(tele)		
VIDEO			
Video Compression	H.264, H.264B, H.264H: Controllable frame rate and image resolution, video stream bandwidth limitation (VBR/CBR) 32K~10Mbps MJPEG: Controllable frame rate and image resolution, bandwidth limitation (CBR)		

RF3403IR-A

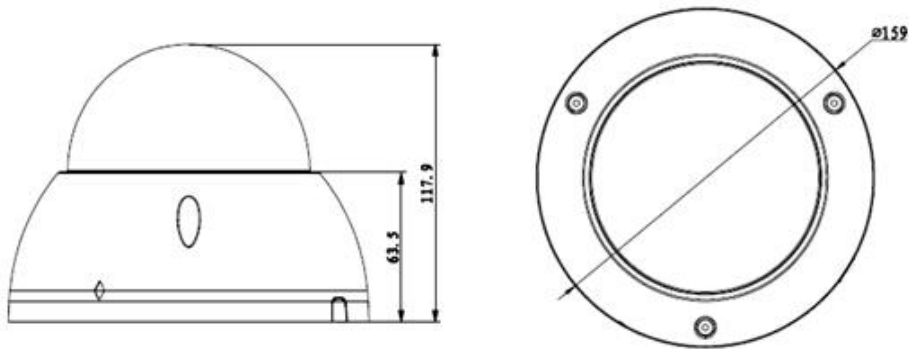
ELECTRICAL	
Power Source	DC12V, PoE (802.3af)
Power Consumption	Max 10W (with IR on)
Working Environment	-30°C ~ +60°C
Operating Humidity	≤95%, non-condensing
MECHANICAL	
Dimensions	Φ 159mm× 118mm (H)
Weight	0.8 kg
Material	Aluminum Die Casting, Anti-vandal bubble (PC)
Color	White - RAL9003

SMART FUNCTION	
Smart Video Object Detection	<ul style="list-style-type: none"> - Trigger Line with direction detection - Zone with object Enter/Leave detection - Zone for Missing /Abandoned object detection - Scene change detection - Face detection
Audio Detection	Configurable audio input level for audio detection.






* If frame rate and image resolution setting of the first and second video stream is set to highest, the max fps of third stream will decrease from 25fps to 14fps in 720P resolution

Dimension

(Unit: mm)



Accessories

Hanging Mount Adapter HMA101	Wall Mount Bracket WMB302S (IP66)	Pole Mount Adapter PMA152	Ceiling Bracket CMB300SET	Flush Mount Bracket FMB201C
				

Please Note: To install camera with wall mount bracket or ceiling bracket the adapter HMA101 is needed. To mount unit with pole or corner adapter need to use the wall bracket WMB302S. To cover IP classification of the camera housing or bracket need accordingly installation