

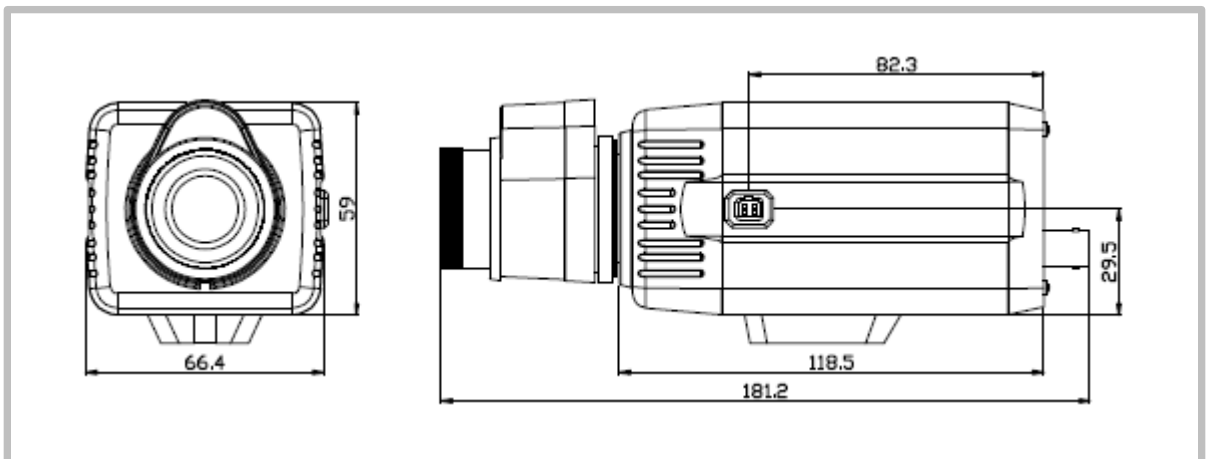
# TCAM-5311

## 1.3MP IP Low Light Level Box Camera

- 1/3" CMOS Progressive Scan Image Sensor
- Max. 30fps @ 1280 x 1024 True day & night (ICR)
- Adjustable video bitrate : 32kbps ~ 10mbps
- Supports SD Card, FTP recording
- Two way audio communication (G.711/AAC)
- PoE(Power over Ethernet) : 802.3af
- 0.3lux(day), 0.2lux(night) with 50IRE, F1.4
- x10 digital zoom control
- ACC(Adaptive Contrast and Color enhancement), BLC (Back Light Compensation)
- Dual streaming (H.264/H.264, H.264/MJPEG)
- Motion detection
- RS-485 communication, Pelco D or Pelco P protocol
- ONVIF, PSIA compliant



### Dimension



Specification and design are subject to change without prior notice

## Specification

Section		TCAM-5321
Camera	Image sensor	1/3" CMOS Progressive Scan Image Sensor
	Synchronization	Internal
	Minimum illumination	0.3lux(day), 0.2lux(night) with 50IRE, F1.4
	Electronic shutter speed ( Shutter Type )	1/60 ~ 1/67,500 sec
Image enhancement	Automatic gain control	Auto
	AE control	Auto, Manual
	White balance mode	ATW, AWC, Manual, Outdoor, Indoor
	True day & night (TDN)	Auto, Day, Night, Threshold(Night to Day)
	Backlight compensation	ACC, BLC
	Digital noise reduction (filter)	Low, Middle, High, Off
	Flickerless	50Hz, 60Hz
	On screen display	English
	Motion detection	Available
	Privacy masking	Available
	Image adjustment	Brightness, contrast
Lens	Flip mode	Horizontal, Vertical
	Lens type	Auto DC, Manual
	Lens mount	C/CS Mount
Video	Digital zoom	x10 Digital Zoom
	Video compression	H.264 HP Level4
	Frame rate	30fps
	Bitrate	Pri : 32Kbps ~ 10Mbps, Sec : 32Kbps ~ 1Mbps
	Resolutions (Max)	1280 x 1024
	Video streaming	Primary : H.264, Secondary : H.264, MJPEG
	Video output	Composite
Audio	Backup	SD Card, FTP
	Audio compression	G.711 , AAC
	Audio sampling rate	G.711 : 8KHz, AAC : 32KHz
Network	Audio input/output	1 x line-in(stereo), 1 x line-out(stereo)
	Network interface	Ethernet 10/100Base-T (RJ-45)
Integration interface	Network protocol	TCP/IP, UDP, Multicast, DHCP, SMTP, HTTP, HTTPS, SNMP, RTP, RTSP, UPnP, WS-Discovery, Zero Configuration, DDNS
	API	TSDK, PSIA, OnVIF
General	Serial connectors	1 x RS-485
	Sensor input	1 x NO Contact
	Alarm output	1 x NO Contact
	Certifications	CE, FCC, ROHS
	Power supply	DC 12V/0.5A , PoE(Power over Ethernet) : 802.3af
	Power consumption	Maximum 6W
General	Operating temperature	-10°C ~ 50°C ( 14°F ~ 122°F )
	Dimension	66.60(W) X 127.20(L) X 67.20(H)mm
	Weight	550g

Specification and design are subject to change without prior notice