



Bullet Network Camera IP8361



2MP • 25M IR Illuminators •
Cable Management

VIVOTEK IP8361 is a high-end 2-Megapixel bullet network camera for outdoor surveillance. Featuring high-resolution and high-performance H.264/MPEG-4/MJPEG compression technology, the IP8361 offers smooth video and wide coverage. With a combination of many outdoor-specific features, the IP8361 is the camera of choice for applications such as parking lots, gas stations, and building entrances.

To adapt to light changes throughout the day, the IP8361 is furnished with an auto-iris lens, a removable IR-cut filter, and 25-meter IR illuminators for superior image quality around the clock. Moreover, the IP67-rated housing protects against rain and dust and ensures functional operation in all types of weather conditions. For easy management and waterproofing, the IP8361 is also equipped with a mounting bracket that conceals all cables within.

The IP8361 also supports SD/SDHC/SDXC card on-board storage, which guarantees constant recording, even when the network is disconnected. With other advanced features such as tamper detection, 802.3af compliant PoE, and two-way audio, the IP8361 is an all-in-one network camera for outdoor environments.

Features

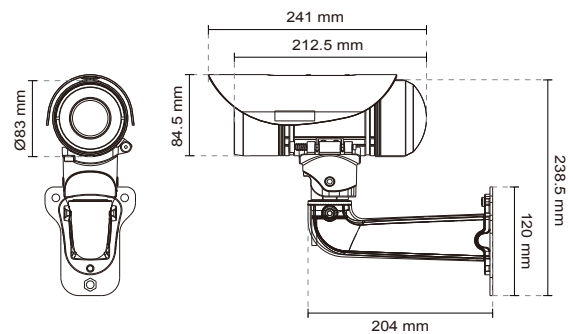
- 2-Megapixel CMOS Sensor
- 3 ~ 9 mm Vari-focal, Auto-iris Lens
- Removable IR-cut Filter for Day & Night Function
- Built-in IR Illuminators, Effective up to 25 Meters
- Real-time H.264, MPEG-4 and MJPEG Compression (Triple Codec)
- Weather-proof IP67-rated Housing
- Built-in 802.3af Compliant PoE
- Built-in SD/SDHC/SDXC Card Slot for On-board Storage
- Mounting Bracket with Cable Management for Protected Installation



Technical Specifications

System Information		Alarm and Event	
CPU	Multimedia SoC (System-on-Chip)	Alarm Triggers	Video motion detection, manual trigger, digital input, periodical trigger, system boot, recording notify, camera tampering detection
Flash	128 MB	Alarm Events	Event notification using digital output, HTTP, SMTP, FTP and NAS server File upload via HTTP, SMTP, FTP and NAS server
RAM	256 MB		
Camera Features		General	
Image Sensor	1/3.2" CMOS sensor	Connectors	RJ-45 cable connector for Network/PoE connection Audio input Audio output AC 24V power input Digital input*1 Digital output*2 RS-485
Maximum Resolution	1600x1200	LED Indicator	System power and status indicator
Lens Type	Vari-focal	Power Input	24V AC 12V DC IEEE 802.3af PoE Class 3
Focal Length	f = 3 ~ 9 mm	Power Consumption	Max. 5.82 W (DC 12V) Max. 8.1 W (AC 24V) Max. 7.2 W (PoE)
Aperture	F1.2 (wide), F2.1 (tele)	Dimensions	Ø: 83 mm x 212.5 mm
Auto-iris	DC-iris	Weight	Net: 1600 g (including bracket)
Field of View	29.95° ~ 83.34° (horizontal) 22.99° ~ 61.93° (vertical) 39.87° ~ 104.52° (diagonal)	Casing	Weather-proof IP67-rated housing
Shutter Time	1/5 sec. to 1/40,000 sec.	Safety Certifications	CE, LVD, FCC Class A, VCCI, C-Tick
Day/Night	Removable IR-cut filter for day & night function	Working Temperature	Starting temperature: -20°C (-4°F) Operating temperature: -20°C ~ 50°C (-4°F ~ 122°F)
Minimum Illumination	0.1 Lux @ F1.2, 50 IRE (Color) 0.001 Lux @ F1.2, 50 IRE (B/W)	Warranty	24 months
Pan/tilt/zoom	ePTZ:	System Requirements	
Functionalities	16x digital zoom (4x on IE plug-in, 4x built-in)	Operating System	Microsoft Windows 7/Vista/XP/2000
IR Illuminators	Built-in IR illuminators, effective up to 25 meters IR LED*24	Web Browser	Mozilla Firefox 7~10 (streaming only) Internet Explorer 7.x or 8.x
On-board Storage	SD/SDHC/SDXC card slot	Other Players	VLC: 1.1.11 or above Quicktime: 7 or above
Video		Included Accessories	
Compression	H.264, MJPEG & MPEG-4	CD	User's manual, quick installation guide, Installation Wizard 2, ST7501 32-channel recording software
Maximum Frame Rate	H.264: Up to 30 fps at 1280x720 Up to 15 fps at 1600x1200 MPEG-4: Up to 30 fps at 1280x720 UP to 15 fps at 1600x1200 MJPEG: Up to 30 fps at 1280x720 UP to 15 fps at 1600x1200	Others	Quick installation guide, warranty card, sun shield, wall mount bracket, waterproof connector for RJ45 Ethernet enclosure, alignment sticker / silica gel, waterproof connector (for backup use)
Maximum Streams	4 simultaneous streams		
S/N Ratio	Above 42.3 dB		
Dynamic Range	69.4 dB		
Video Streaming	Adjustable resolution, quality and bitrate Configurable video cropping for bandwidth saving		
Image Settings	Adjustable image size, quality and bit rate Time stamp, text overlay, flip & mirror Configurable brightness, contrast, saturation, sharpness, white balance, exposure control, gain, backlight compensation, privacy masks Scheduled profile settings		
Audio			
Audio Capability	Audio input/output (full duplex)		
Compression	GSM-AMR, AAC, G.711		
Interface	External microphone input External line output		
Network			
Users	Live viewing for up to 10 clients		
Protocols	IPv4, IPv6, TCP/IP, HTTP, HTTPS, UPnP, RTSP/RTP/RTCP, IGMP, SMTP, FTP, DHCP, NTP, DNS, DDNS, PPPoE, CoS, QoS, SNMP, 802.1X		
Interface	10Base-T/100 BaseTX Ethernet (RJ-45)		
ONVIF	Ver. 1.02		
Intelligent Video			
Video Motion Detection	Triple-window video motion detection		

Dimensions



Compatible Accessories

Mounting Kits



AM-311
Pole Mount Adaptor



AM-411
Corner Mount Adaptor

Wireless



N600AG
Outdoor wireless access point

PoE Kits



MS-POE-IJAF
PoE injector, 802.3af compliant