

DS-2PT5326IZ-DE (5-50 mm)(4 mm) Triple-Directional PanoVu Camera with PTZ



Overview

Hikvision DS-2PT5326IZ-DE (5-50 mm) (4 mm) Triple-Directional PanoVu Camera with PTZ, is able to capture 240° images with the panoramic cameras, as well as close-up images with the PTZ camera.

System Functions

- 3-ch panoramic images in different directions and 1-ch close-up image
- Three flexible cameras are adjustable along a circular track, slide range: 0° to 270°
- Three flexible cameras can tilt rotate from 15° to 55° independently
- 1-ch audio input and 1-ch audio output
- 1-ch alarm input and 1-ch alarm output, support alarm linkage
- PTZ linkage
- Built-in memory card slot, support microSD/SDHC/SDXC, up to 256 GB
- Open-ended API, support ONVIF, ISAPI, and CGI, support HIKVISION SDK and Third-Party Management Platform
- Support H.265 video compression
- IP66

Panoramic Camera

- Three 1/2.8" progressive scan CMOS
- UP to 3-ch 1920 × 1080@30fps resolution
- Min. illumination:
Color: 0.005 Lux @(F1.6, AGC ON)
B/W: 0.001 Lux @(F1.6, AGC ON)
0 Lux with IR
- Horizontal FOV: 80.7° × 3
Vertical FOV: 43.5°
- Up to 30 m IR radius

PTZ Camera

- 1/2.8" progressive scan CMOS
- Up to 1920 × 1080@30fps resolution
- Min. illumination:
Color: 0.005 Lux @(F1.6, AGC ON)
B/W: 0.001 Lux @(F1.6, AGC ON)
0 Lux with IR
- 10× optical zoom, 8× digital zoom
- Up to 50 m IR distance



DORI

The DORI (detect, observe, recognize, identify) distance gives the general idea of the camera ability to distinguish persons or objects within its field of view.

It is calculated based on the camera sensor specification and the criteria given by EN 62676-4: 2015.

| DORI | Detect | Observe | Recognize | Identify |
|------------------------------------|---------------------|--------------------|--------------------|-------------------|
| Definition | 25 px/m | 63 px/m | 125 px/m | 250 px/m |
| [Panoramic Camera] Distance (Tele) | 58.2 m (190.9 ft) | 23.1 m (75.8 ft) | 11.6 m (38.1 ft) | 5.8 m (19.0 ft) |
| [PTZ Camera] Distance (Tele) | 683.6 m (2242.8 ft) | 271.3 m (890.1 ft) | 136.7 m (448.5 ft) | 68.4 m (224.4 ft) |

Specification

| Panoramic Camera | |
|-------------------------|--|
| Image Sensor | Three 1/2.8" progressive scan CMOS |
| Min. Illumination | Color: 0.005 Lux @(F1.6, AGC ON) B/W: 0.001 Lux @(F1.6, AGC ON) 0 Lux with IR |
| Shutter Time | 50 Hz: 1/25 s to 1/30,000 s 60 Hz: 1/30 s to 1/30,000 s |
| Day & Night | IR Cut Filter |
| Gain | Auto/Manual |
| WDR | Digital WDR |
| Smart Image Enhancement | HLC/BLC/3D DNR/Defog/Regional Exposure |
| White Balance | Auto/Manual/ATW (Auto-Tracking White Balance)/Indoor/Outdoor/Fluorescent Lamp/Sodium Lamp |
| Privacy Mask | 4 × 3 programmable privacy masks |
| Focal Length | 4 mm |
| Aperture Range | F1.6 |
| FOV | Horizontal field of view: 80.7° × 3 Vertical field of view: 43.5° |
| IR Radius | 30 m |
| PTZ Camera | |
| Image Sensor | 1/2.8" progressive scan CMOS |
| Min. Illumination | Color: 0.005 Lux @(F1.6, AGC ON) B/W: 0.001 Lux @(F1.6, AGC ON) 0 Lux with IR |
| Shutter Time | 50 Hz: 1/25 s to 1/30,000 s 60 Hz: 1/30 s to 1/30,000 s |
| Day & Night | IR Cut Filter |
| Gain | Auto/Manual |
| WDR | Digital WDR |
| Smart Image Enhancement | HLC/BLC/3D DNR/Defog/Regional Exposure/Regional Focus |
| White Balance | Auto/Manual/ATW (Auto-Tracking White Balance)/Indoor/Outdoor/Fluorescent Lamp/Sodium Lamp |
| Privacy Mask | 8 programmable privacy masks |
| Digital Zoom | 8× |
| Focus Mode | Auto/Semi-automatic/Manual |
| Focal Length | 4.7 mm to 47 mm, 10× optical zoom |
| Zoom Speed | Approx. 2.5 s (optical, wide - tele) |
| FOV | Horizontal field of view: 58.6° to 6.4° (wide - tele) Vertical field of view: 35.1° to 3.6° (wide - tele) |

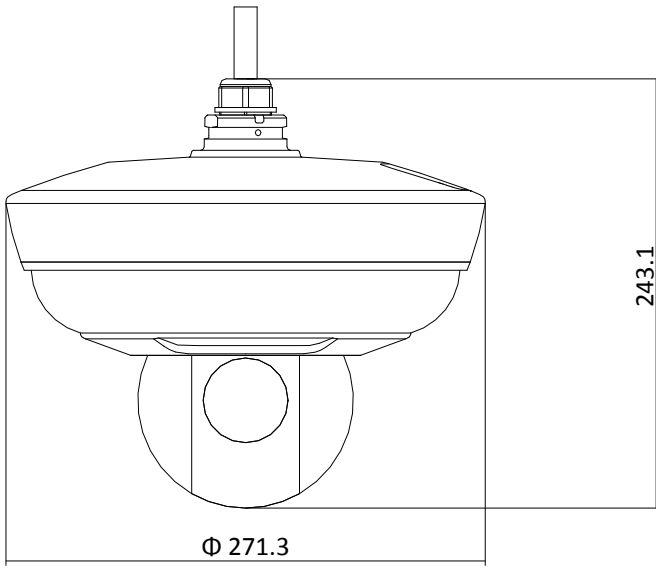
| | |
|---|--|
| | Diagonal field of view: 7.4° to 65.6° (wide - tele) |
| Min. Working Distance | 10 mm to 1500 mm (wide - tele) |
| Aperture Range | F1.6 to F3.0 |
| Pan and Tilt Range | Pan: 0° to 340°; Tilt: 0° to 90° |
| Pan and Tilt Speed | Pan speed: 0.1°/s to 60°/s (configurable), preset speed: 60°/s Tilt speed: 0.1°/s to 60°/s (configurable), preset speed: 60°/s |
| 3D Positioning | Yes |
| Proportional Zoom | Yes |
| Preset Number | 300 |
| Park Action | Preset |
| Power-off Memory | Yes |
| PTZ Status Display | Yes |
| Preset Freezing | Yes |
| Scheduled Task | Preset/Dome Reboot/Dome Adjust |
| IR Distance | 50 m |
| Dual-VCA | Yes |
| Smart Event Detection | Audio Exception Detection, Intrusion Detection, Line Crossing Detection |
| System | |
| PTZ Linkage | Yes |
| SVC | Yes |
| ROI | Main stream and sub-stream respectively supports eight fixed areas. |
| Video Compression (Sub-stream enabled) | Panoramic camera: Main stream: H.265/H.264 Sub-stream: H.265/H.264 H.264 with Main Profile/High Profile, H.265 with Main Profile PTZ camera: Main stream: H.265/H.264 Sub-stream: H.265/H.264/MJPEG H.264 with Main Profile/High Profile, H.265 with Main Profile |
| Video Compression (Sub-stream not enabled) | Panoramic camera: Main stream: H.265/H.264 H.264 with Main Profile/High Profile, H.265 with Main Profile PTZ camera: Main stream: H.265/H.264/MJPEG H.264 with Main Profile/High Profile, H.265 with Main Profile |
| Video Bitrate | 256 Kbps to 8192 Kbps |
| Audio Compression | G.711alaw/G.711ulaw/G.722.1/G.726/MP2L2 |
| Audio Bitrate | G.711alaw/G.711ulaw: 64 Kbps G.722.1/G.726: 16 Kbps MP212: 32 Kbps/64 Kbps/128 Kbps |
| Resolution (Sub-stream enabled) | Panoramic camera: Main stream: 50 Hz: 20 fps (1920 × 1080, 1280 × 960, 1280 × 720) 60 Hz: 20 fps (1920 × 1080, 1280 × 960, 1280 × 720) Sub-stream: 50 Hz: 20 fps (704 × 576, 640 × 480, 352 × 288) 60 Hz: 20 fps (704 × 480, 640 × 480, 352 × 240) PTZ camera: Main stream: 50 Hz: 20 fps (1920 × 1080, 1280 × 960, 1280 × 720) 60 Hz: 20 fps (1920 × 1080, 1280 × 960, 1280 × 720) Sub-stream: 50 Hz: 20 fps (704 × 576, 640 × 480, 352 × 288) 60 Hz: 20 fps (704 × 480, 640 × 480, 352 × 240) |

| | |
|--|--|
| Resolution (Sub-stream not enabled) | Panoramic camera: Main stream: 50 Hz: 25 fps (1920 × 1080, 1280 × 960, 1280 × 720, 704 × 576, 640 × 480, 352 × 288) 60 Hz: 30 fps (1920 × 1080, 1280 × 960, 1280 × 720, 704 × 480, 640 × 480, 352 × 240) PTZ camera: Main stream: 50 Hz: 25 fps (1920 × 1080, 1280 × 960, 1280 × 720, 704 × 576, 640 × 480, 352 × 288) 60 Hz: 30 fps (1920 × 1080, 1280 × 960, 1280 × 720, 704 × 480, 640 × 480, 352 × 240) |
| Basic Event Detection | Motion Detection, Video Tampering Detection, Exception |
| Network | |
| Smart Record | ANR (Automatic Network Replenishment) |
| Network Storage | Built-in memory card slot, support Micro SD/SDHC/SDXC, up to 256 GB |
| Protocols | IPv4/IPv6, HTTP, HTTPS, 802.1x, Qos, FTP, SMTP, UPnP, SNMP, DNS, DDNS, NTP, RTSP, RTCP, RTP, TCP/IP, DHCP, PPPoE, Bonjour |
| API | Open-ended, support ONVIF, ISAPI, and CGI, support HIKVISION SDK and Third-Party Management Platform |
| Simultaneous Live View | Up to 4 × 4 channels |
| User/Host | Up to 32 users 3 levels: Administrator, Operator and User |
| Security Measures | User authentication (ID and PW), Host authentication (MAC address); HTTPS encryption; IEEE 802.1x port-based network access control; IP address filtering |
| Client | iVMS-4200, iVMS-4500, iVMS-5200, Hik-Connect |
| Web Browser | IE8 to 11, Chrome 31.0 to 44, Firefox 30.0 to 51 |
| Interface | |
| Network Interface | 1 RJ45 10 M/100 M Ethernet |
| Audio Interface | 1-ch audio input and 1-ch audio output |
| Alarm Interface | 1-ch alarm input and 1-ch alarm output |
| General | |
| Power | 12 VDC, 3.33 A and Hi-PoE, 42.5 to 57 VDC, 1.41 A Max.27 W (Max. 9 W for IR) |
| Working Temperature | -30°C to 65°C (-22°F to 149°F), with heater on |
| Working Humidity | ≤ 90% |
| Protection Level | IP66, 4000V Lightning Protection, Surge Protection and Voltage Transient Protection |
| Material | PC & Aluminum alloy |
| Dimensions | Φ 271.3 mm × 243.1 mm (Φ 10.68" × 9.57") |
| Weight | Approx. 3.2 kg (7.05 lb) |

Available Model

DS-2PT5326IZ-DE (5-50 mm)(4 mm), 12 VDC & Hi-PoE

Dimensions



Unit: mm

Accessories



DS-1602ZJ

Wall Mounting Bracket



DS-1602ZJ-Pole

Vertical Pole Mounting Bracket



DS-1602ZJ-Corner

Corner Mounting Bracket



DS-1661ZJ

Pendant Mounting Bracket

Distributed by



HIKVISION®

Headquarters

No.555 Qianmo Road, Binjiang District,
Hangzhou 310051, China
T +86-571-8807-5998
overseasbusiness@hikvision.com

Hikvision USA
T +1-909-895-0400
sales.usa@hikvision.com

Hikvision Australia
T +61-2-8599-4233
salesau@hikvision.com

Hikvision India
T +91-22-28469900
sales@pramahikvision.com

Hikvision Canada
T +1-866-200-6690
sales.canada@hikvision.com

Hikvision Thailand
T +662-275-9949
sales.thailand@hikvision.com

Hikvision Europe
T +31-23-5542770
sales.eu@hikvision.com

Hikvision Italy
T +39-0438-6902
info.it@hikvision.com

Hikvision Brazil
T +55 11 3318-0050
Latam.support@hikvision.com

Hikvision Turkey
T +90 (216)521 7070- 7074
sales.tr@hikvision.com

Hikvision Malaysia
T +601-7652-2413
sales.my@hikvision.com

Hikvision UK & Ireland
T +01628-902140
sales.uk@hikvision.com

Hikvision South Africa
Tel: +27 (10) 0351172
sale.africa@hikvision.com

Hikvision France
T +33(0)1-85-330-450
info.fr@hikvision.com

Hikvision Kazakhstan
T +7-727-9730667
nikia.panfilov@hikvision.ru

Hikvision Vietnam
T +84-974270888
sales.vt@hikvision.com

Hikvision UAE
T +971-4-4432090
salesme@hikvision.com

Hikvision Singapore
T +65-6684-4718
sg@hikvision.com

Hikvision Spain
T +34-91-737-16-55
info.es@hikvision.com

Hikvision Tashkent
T +99-87-1238-9438
uzb@hikvision.ru

Hikvision Hong Kong
T +852-2151-1761
info.hk@hikvision.com

Hikvision Russia
T +7-495-669-67-99
saleru@hikvision.com

Hikvision Korea
T +82-(0)31-731-8817
sales.korea@hikvision.com

Hikvision Poland
T +48-22-460-01-50
info.pl@hikvision.com

Hikvision Indonesia
T +62-21-2933759
Sales.Indonesia@hikvision.com

Hikvision Colombia
sales.colombia@hikvision.com