

DH-SD8C848PA-HNF

8M 48x Starlight IR WizMind Network PTZ Camera



WizMind

- 1/1.8" 8Megapixel STARVIS™ CMOS
- 48x optical zoom
- Starlight technology
- Max. 25/30 fps@8M
- IR distance up to 250 m
- H.265 encoding
- Two-way audio
- IR and white light, three night view modes
- IP67
- Auto-tracking
- Perimeter protection
- Face recognition

System Overview

AI series products adopt the most advanced AI technologies, including deep learning algorithms that primarily target people and vehicles, which provides higher flexibility and accuracy for end-users. This enables the Dahua AI series to offer various advanced applications such as Face Recognition, ANPR, Metadata, People Counting, and traffic data statistics. The complete lineup of Dahua AI includes network (PTZ) cameras, network video recorders, servers, and more devices. Beyond seeing the world, the power of AI allows devices to perceive the environment and understand the world in a better way.

Functions

Perimeter Protection

Automatically filters out false alarms caused by animals, rustling leaves, bright lights, and more, and uses secondary recognition during target detection to improve alarm accuracy.

Starlight Technology

For challenging low-light conditions, Dahua's Starlight Ultra-low Light Technology offers the best in light sensitivity, capturing color in vivid detail, even in lighting as low as 0.005 lux. The camera uses a set of optical features to balance light throughout the scene, producing clear images in dark environments.

PFA Technology

PFA technology has introduced new methods of judgment that ensure the accuracy and predictability of the direction of subject distance adjustment. The result is a set of advanced focusing algorithms that ensure image clarity when zooming and that shorten focus time. This makes the camera highly advanced in its functions, substantially improving the quality of your experience.



Environment (−40 °C to +70 °C, IP67)

Developed to operate in extreme conditions, Dahua camera can function in temperatures ranging from −40 °C to +70 °C (−40 °F to +158 °F) at 95% humidity. It was subjected to rigorous dust and water immersion tests, gaining its IP67 Ingress Protection certification, making it suitable for demanding outdoor applications.

Auto-tracking

This feature controls the pan, tilt and zoom actions of the camera to automatically track an object in motion, to keep it in view of the camera. Tracking can be triggered manually or automatically by defined rules. Once a rule is triggered, the camera can zoom in and track the defined target automatically.

Smart H.265+

Smart H.265+ is the optimized implementation of the H.265 codec that uses a scene-adaptive encoding strategy, dynamic GOP, dynamic ROI, a flexible multi-frame reference structure and intelligent noise reduction to deliver high-quality videos without straining the network. Smart H.265+ technology outranks standard H.265 video compression, reducing bit rate and storage requirements by up to 70%.

Scene

The Dahua PTZ AI network camera adopts advanced CNN deep learning algorithms to support Perimeter Protection. This highly accurate camera possesses a wide monitoring range and the PFA algorithm, allowing it to always present a clear, focused image while zooming. Leveraging the latest in starlight technology, the camera has strong low light performance, smooth controls, high-grade protection, and produces high quality images, meeting most of the requirements of video surveillance applications.

Technical Specification

Camera

Image Sensor	1/1.8" CMOS
Pixel	8 MP
Max. Resolution	3840 (H) × 2160 (V)
ROM	8 GB
RAM	2 GB
Electronic Shutter Speed	1/1 s–1/30,000 s
Scanning System	Progressive
Min. Illumination	Color: 0.005 lux@F1.4 B/W: 0.0005 lux@F1.4 0 lux (dual light fusion on)
Illumination Distance	80 m (262.46 ft) (dual light fusion-only white light on) 250 m (1,476.38 ft) (dual light fusion-only IR light on)
Illuminator On/Off Control	Zoom Prio; Manual; Smart IR; Off
Illuminator Number	10 (dual light fusion)
Wiper	Yes

Lens

Focal Length	6.25 mm–300 mm			
Max. Aperture	F1.4–F4.5			
Field of View	H: 64.9°–1.8°; V: 38°–1.3°; D: 71.3°–1.9°			
Optical Zoom	48x			
Focus Control	Auto; semi-auto; manual			
Close Focus Distance	0.5 m–2 m (1.64–6.56 ft)			
Iris Control	Auto; manual			
DORI Distance	Detect	Observe	Recognize	Identify
	6,000 m (19,685.04 ft)	2,381 m (7,811.68 ft)	1,200 m (3,937.01 ft)	600 m (1,968.50 ft)

PTZ

Pan/Tilt Range	Pan: 0° to 360° endless Tilt: –20° to +90°
Manual Control Speed	Pan: 0.1°/s–240°/s Tilt: 0.1°/s–100°/s
Preset Speed	Pan: 0.1°/s–200°/s; Tilt: 0.1°/s–60°/s
Preset	300
Tour	8 (up to 32 presets per tour)
Pattern	5
Scan	5
Power-off Memory	Yes
Idle Motion	Preset; Pattern; Tour; Scan
PTZ Protocol	DH-SD Pelco-P/D (auto recognition)

Intelligence

Video Metadata	Support human body, human face, motor vehicle and non-motor vehicle image capture and attributes extraction.
----------------	--

IVS (Perimeter Protection)	Tripwire and intrusion. Support alarm triggering by target types (human and vehicle). Support filtering false alarms caused by animals, rustling leaves, bright lights, etc.
Face Recognition	Yes

Video

Video Compression	H.265; H.264M; H.264H; MJPEG; Smart H.265; Smart H.264
Streaming Capability	3 streams
Resolution	8M (3840 × 2160); 4M (2560 × 1440); 1080p (1920 × 1080); 960p (1280 × 960); 720p (1280 × 720); D1 (704 × 576/704 × 480); VGA (640 × 480); CIF (352 × 288/352 × 240)
Video Frame Rate	Main stream: 8M/4M/1080p/960p/720p (1–25/30 fps) Sub stream 1: D1/VGA/CIF (1–25/30 fps) Sub stream 2: 1080p/960p/720p (1–25/30 fps)
Bit Rate Control	CBR; VBR
Video Bit Rate	H.264: 3328 kbps–16384 kbps H.265: 1280 kbps–9984 kbps
Day/Night	Auto (ICR); Color; B/W
BLC	Yes
WDR	120 dB
HLC	Yes
White Balance	Auto; indoor; outdoor; tracking; manual; sodium lamp; natural light; street lamp
Gain Control	Auto; manual
Noise Reduction	2D NR; 3D NR
Motion Detection	Yes
Region of Interest (RoI)	Yes
Defog	Optical
Digital Zoom	16x
Image Rotation	180°
Privacy Masking	Up to 24 areas can be set, with up to 8 areas in the same view
S/N Ratio	≥55 dB

Audio

Audio Compression	G.711a; G.711Mu; G.726; MPEG2-Layer2; G722.1; G729; PCM
-------------------	---

Network

Network Port	RJ-45 (10/100 Base-T)
Network Protocol	HTTP; HTTPS; IPv4; RTSP; UDP; SMTP; NTP; DHCP; DNS; DDNS; IPv6; 802.1x; QoS; FTP; UPnP; ICMP; SNMP; IGMP; RTP; PPPoE; RTMP; TCP
Interoperability	ONVIF (Profile S&G&T); GB/T28181; CGI
Streaming Method	Unicast; Multicast
User/Host	20 (total bandwidth: 64 M)
Storage	FTP; Micro SD card (512 GB); NAS
Browser	IE 7 and later versions Chrome 45 and later versions Firefox 52ESR and earlier versions Safari

Management Software	Smart PSS; DSS; IVSS
Mobile Client	iOS; Android
Port	
Analog Output	1 channel (CVBS output, BNC)
RS-485	1 (baud rate: 1200 bps–115200 bps)
Audio Input	1 channel (LINE IN, bare wire)
Audio Output	1 channel (LINE OUT, bare wire)
Two-way Audio	Yes
Alarm Input	7 (on-off value input: 0–5 VDC)
Alarm Output	2
Alarm Linkage	Capture; preset; tour; pattern; recordings on SD card; alarm digital input; client E-map; send email
Alarm Event	Motion/tampering detection; audio detection; network disconnection detection; IP conflict detection; decoder state detection; memory card state detection; memory space detection; power exception detection

Power	
Power Supply	36 VDC, 2.23 A (± 25%), Hi-PoE
Power Consumption	Basic: 18 W Max.: 33 W (illuminator + PTZ)

Environment	
Operating Temperature	–40 °C to +70 °C (–40 °F to +158 °F)
Operating Humidity	≤95%
Protection	IP67; TVS 8000 V lightning proof; surge protection; voltage transient protection

Structure	
Product Dimensions	442 mm × Φ262 mm (17.40" × Φ10.31")
Net Weight	10.3 kg (22.71 lb)
Gross Weight	12.5 kg (27.56 lb)

Ordering Information		
Type	Model	Description
8M Camera	DH-SD8C848PA-HNF	8M 48x Starlight IR WizMind Network PTZ Camera
	DH-SD8C848PA-HNF	8M 48x Starlight IR WizMind Network PTZ Camera
Accessories	DC36V/2.23A	Power Adapter
	PFB306W-S	Wall Mount Bracket
	PFB718C-SG	Ceiling Mount Bracket
	PFB711C-SG	Ceiling Mount Bracket
	PFA5500 + PFB306W-S	Vertical Pole Mount Bracket
	PFA5500 + PFB718C-SG	Horizontal Pole Mount Bracket
PFA151 + PFB306W-S	Corner Mount Bracket	

Accessories

Included:

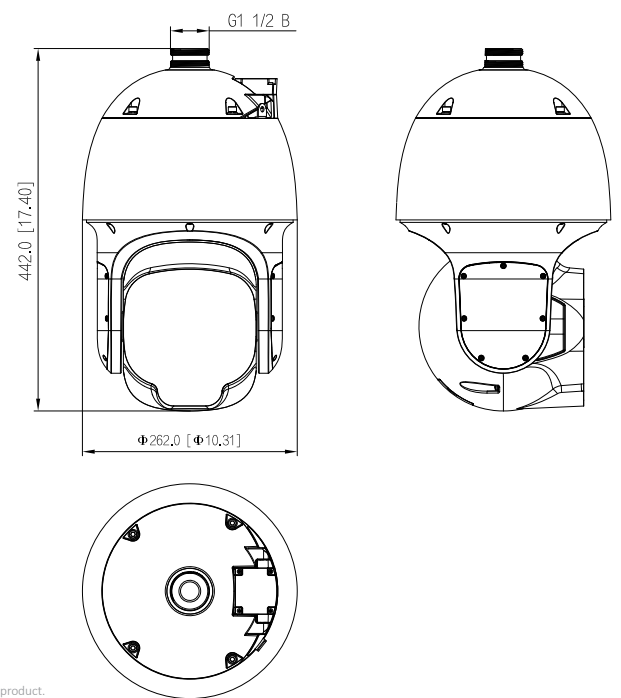


Optional:



Wall Mount PFB306W-S	Ceiling Mount PFB718C-SG	Ceiling Mount PFB711C-SG
Pole Mount (Vertical) PFB306W-S+PFA5500	Pole Mount (Horizontal) PFB718C-SG+PFA5500	Corner Mount PFB306W-S+PFA151

Dimensions (mm[inch])



Rev 002.000 © 2024 Dahua. All rights reserved. Design and specifications are subject to change without notice. The images, specifications and information mentioned in the document are only for reference, and might differ from the actual product.