

## Product Datasheet

# 6-port 10/100M Industrial PoE Fiber Switch

(ONV-IPS31064PF)



## OVERVIEW

The ONV-IPS31064PF is a 10/100M industrial PoE fiber switch independently developed by ONV. It has 4\*10/100M PoE ports and 2\*155M SFP slot ports. Port 1-4 can support IEEE 802.3af/at PoE standard. Single-port PoE power up to 30W. As a PoE power supply device, it can automatically detect and recognize the power receiving equipment that meets the standard and supply power through the network cable. It can supply power to POE terminal equipment such as wireless AP, web camera, VoIP phone, industrial sensor through network cable, and meet the network environment that needs high-density PoE power supply. It is suitable for intelligent transportation, rail transit, electric power, mining, metallurgy and green energy. Industrial scenes such as construction set up a cost-effective and stable communication network.

## FEATURE

### ■ 10/100M Ethernet port

- ◇ Supports 10/100M RJ45 port and 155M SFP fiber port combination, which enables users to flexibly build networking to meet the needs of various scenarios.
- ◇ Support non-blocking wire speed forwarding
- ◇ Support full duplex based on IEEE802.3x and half duplex based on Backpressure

### ■ Smart PoE power supply function

- ◇ 4\*10/100Base-TX RJ45 ports support PoE power supply to meet the needs of PoE power supply in various scenarios in the industrial field.
- ◇ IEEE 802.3af/at PoE standard, without damaging non-PoE devices.

### ■ Stable and reliable

- ◇ Low power consumption, No fan, aluminum shell.
- ◇ CE, FCC, RoHS.
- ◇ The user-friendly panel can show the device status through the LED indicator of PWR, Link, PoE.

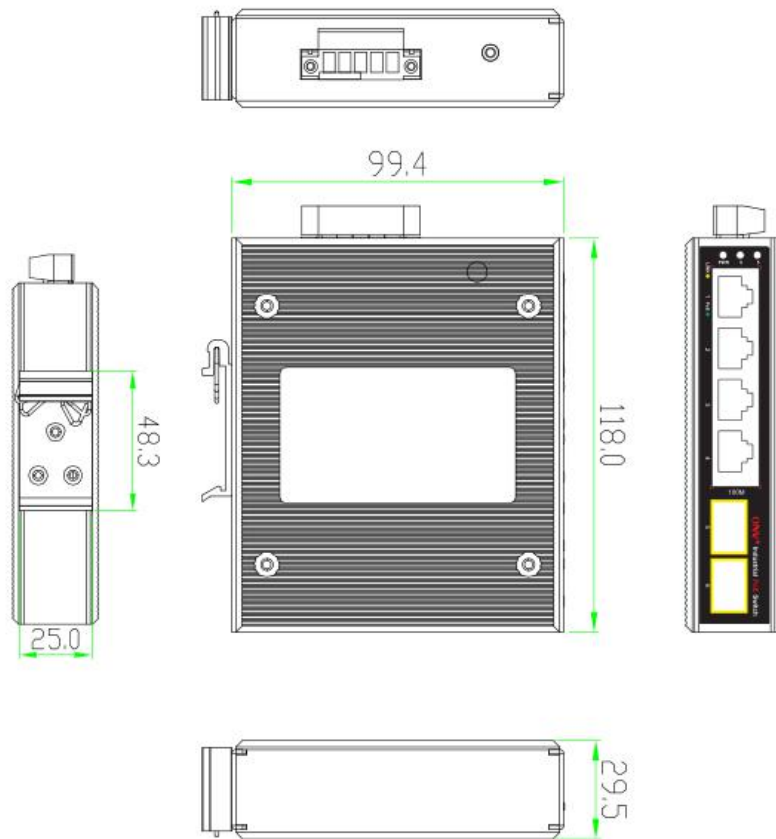
## TECHNICAL SPECIFICATION

Model	ONV-IPS31064PF
<b>Interface Characteristics</b>	
Fixed Port	4*10/100Base-TX PoE ports (Data /Power) 2*155M uplink SFP fiber slot ports (Data) 2 group of V+, V- redundant DC power interface (5P Phoenix terminal)
Ethernet Port	Port 1-6 can support 10/100Base-TX auto-sensing, full/half duplex MDI/MDI-X self-adaption
Twisted Pair	10BASE-T: Cat3,4,5 UTP(≤100 meter)

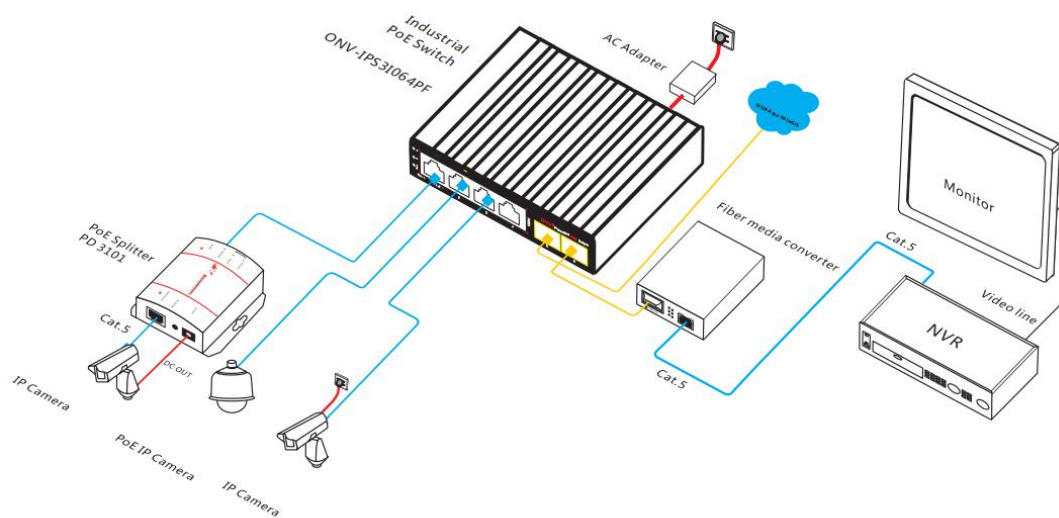
Transmission	100BASE-TX: Cat5e or later UTP(≤100 meter)
Fiber Port Feature	155M SFP fiber interface, no include optical module by default, need to be purchased separately (optional single-mode /multi-mode, single fiber / dual fiber module, LC interface)
Optical Cable / Distance	Multi-mode: 850nm/ 0~500M, 1310nm/ 0~2KM, Single-mode: 1310nm / 0~40KM, 1550nm/ 0-120KM.
<b>Chip Parameter</b>	
Network Protocol	IEEE802.3 10BASE-T, IEEE802.3i 10Base-T IEEE802.3u 100Base-TX, IEEE802.3u 100Base-FX , IEEE802.3x
Forwarding Mode	Store and Forward(Full Wire Speed)
Switching Capacity	1.6Gbps (Non-blocking)
Forwarding Rate@64byte	0.89Mpps
MAC	1K
Buffer Memory	768K
Jumbo Frame	1536bytes
LED Indicator	Power: PWR (Green), Network: Link (Yellow), PoE: PoE (Green), Fiber port : 5 /6 (Green)
<b>PoE &amp; Power Supply</b>	
PoE Port	Port 1 to 4
Power Supply Pin	Default 1/2 (+), 3/6 (-)
Max Power Per Port	30W, IEEE802.3af/at
Power Consumption	Standby<3W, Full Load af<60W, at<120W
Input Voltage / Interface	48-57VDC, 5P industrial phoenix terminal, anti-reverse protection
Power Supply	No, optional 48V/60W or 48V/120W industrial power supply
<b>Physical Parameter</b>	
Operation TEMP /	-40~+75°C, 5%~90% RH Non-condensing

Humidity	
Storage TEMP / Humidity	-40~+85°C, 5%~95% RH Non-condensing
Dimension (L*W*H)	119*100*30mm
Net /Gross Weight	<0.5kg /<0.7kg
Installation	Desktop, 35mm DIN rail mounting
<b>Certification &amp; Warranty</b>	
Lightning Protection	<p>Lightning protection: 6KV 8/20us, Protection level: IP40</p> <p>IEC61000-4-2(ESD)±8kV Contact Discharge,±15kV Air Discharge</p> <p>IEC61000-4-3(RS)10V/m (80~1000MHz)</p> <p>IEC61000-4-4(EFT)Power Line: ±6kV; Data Line: ±2kV</p> <p>IEC61000-4-5(Surge)Power Line,CM±4kV/DM±2kV;Data Line,±4kV</p> <p>IEC61000-4-6 (Radio Frequency Conduction) 10V(150kHz~80MHz)</p> <p>IEC61000-4-8 (Power Frequency Magnetic Field)</p> <p>100A/m Continued; 1000A/m,1s to 3s</p> <p>IEC61000-4-9 (Pulsed Magnetic Field) 1000A/m</p> <p>IEC61000-4-10 (Damping Oscillation) 30A/m ,1MHz</p> <p>IEC61000-4-12/18 (SHOCKWAVE) CM 2.5kV, DM 1kV</p> <p>IEC61000-4-16 (Common Mode Conduction) 30V Continued; 300V,1s</p> <p>FCC Part 15/CISPR22(EN55022)Class B</p> <p>IEC61000-6-2(General Industry standard)</p>
Mechanical Properties	IEC60068-2-6 (anti vibration), IEC60068-2-27 (anti shock), IEC60068-2-32 (free fall)
Certification	CCC, CE mark, commercial, CE/LVD EN60950, FCC Part 15 Class B, RoHS
Warranty	5 years, lifelong maintenance.

## DIMENSION



## APPLICATION



## ORDERING INFORMATION

Model	Description	Recommended power supply
ONV-IPS31064PF	Unmanaged industrial PoE fiber switch with 4*10/100M PoE ports and 2*155M SFP slot ports. Port 1-4 support PoE IEEE802.3af/at. support DIN rail mounting	60W/120W

**Note:** Industrial PoE switch does not include the power supply and optical module.

## PACKING LIST

	CONTENT	QTY	UNIT
PACKING LIST	6-port 10/100M Industrial PoE Switch	1	SET
	User Guide	1	PC
	Warranty Card	1	PC

## OPTICAL MODULE

Product	Model	Description	Unit
155M Optical module	ONV-5315-114	SFP optical module, 155M, single-mode dual fiber 1310nm, transmission distance: 20km, LC interface, support DDM function, support hot plug and pull.	PC
	ONV-1313-20	SFP optical module, 155M, single-mode single fiber 1310nm, transmission distance: 20km, LC interface, support DDM function, support hot plug and pull.	PC
	ONV-1315-20	SFP optical module, 155M, single-mode single fiber,	PC

		transmission distance: 20km, LC interface, support DDM function, support hot plug and pull.	
--	--	---	--

## POWER SUPPLY

Product	Model	Description	Unit
65W Desktop Power Adaptor	GWS-AP65-52	Desktop tape 65W single set of output power adapter Input Voltage:AC 100V~240V 50-60Hz, 1.1A Output Voltage:DC 52V 1.25A Operation Temperature:-20℃ to +65℃	PC
110W Desktop Power Adaptor	GWS-AP110-52	Desktop tape 65W single set of output power adapter Input Voltage:AC 100V~240V 50-60Hz, 2.0A Output Voltage:DC 52V 2.15A Operation Temperature:-20℃ to +65℃	PC
60W DIN Rail Industrial Power Supply	GWS-DP60-48	Din Rail type 60W single set of output power supply Input Voltage:AC 100V~240V 50-60Hz, 1A Output Voltage:DC 48V 1.25A Operation Temperature:-40℃ to +70℃	PC
120W DIN Rail Industrial Power Supply	GWS-DP120-48	Din Rail type 120W single set of output power supply Input Voltage:AC 100V~240V 50-60Hz, 1.5A Output Voltage:DC 48V 2.5A Operation Temperature:-40℃ to +70℃	PC

## RELATED PRODUCT

Model	Description
ONV-IPS31021PF	Unmanaged industrial PoE fiber switch with 1*10/100M RJ45 port and 1*155M SC port, Port 1 can support PoE IEEE802.3af/at. By default, the SC port 1310nm/20km single-mode dual-fiber module. It can support dual DC redundant power input (Phoenix terminal connection) and DIN rail mounting.
ONV-IPS31032PF	Unmanaged industrial PoE fiber switch with 2*10/100M RJ45 port and 1*155M SC port, Port 1-2 can support PoE IEEE802.3af/at. By default, the SC port 1310nm/20km single-mode dual-fiber module. It can support dual DC redundant power input (Phoenix terminal connection) and DIN rail mounting.
ONV-IPS31064P	Unmanaged industrial PoE fiber switch with 6*10/100M RJ45 ports. Port 1-4 can support PoE IEEE802.3af/at. It can support DC dual redundant power input and DIN rail mounting.
ONV-IPS31108PFB	Unmanaged industrial PoE fiber switch with 8*10/100M PoE ports and 2*10/100/1000M RJ45 ports and 2*1000M SFP slot ports (combo port). Port 1-8 can support PoE IEEE802.3af/at. It can support DC dual redundant power input and DIN rail mounting.



## CONTACT US

**ONV** OPTICAL NETWORK VIDEO TECHNOLOGIES (SHENZHEN) CO., LTD.

Tel: 0086-755-33376606

Fax: 0086-755-33376608

Email: [onv@onv.com.cn](mailto:onv@onv.com.cn)

Website: [www.onvcom.com](http://www.onvcom.com)

Zip: 518000

Headquarter Address: Room 1003, Block D, Terra Building, Futian district, Shenzhen, China

Factory Address: The 4-6th Floor, No. 59, Huaning Road, Xinwei Community, Dalang Street,  
Longhua District, Shenzhen, China

