

Product Datasheet

26-Port Full Gigabit PoE Fiber Switch

(ONV-POE33024PF)



OVERVIEW

The ONV-POE33024PF is a full gigabit unmanaged PoE fiber switch independently developed by ONV. It has 24*10/100/1000M RJ45 ports and 2*1000M SFP slot ports. Port 1-24 can support IEEE802.3af/at standard PoE power supply. single port PoE power reaches 30W, and the maximum PoE output power is 400W(at-600W). As a PoE power supply device, it can automatically detect and recognize the power receiving equipment that meets the standard and supply power through the network cable. It can supply power to POE terminal equipment such as wireless AP, webcam, VoIP, visual intelligent building intercom through network cable, and meet the network environment that needs high-density PoE power supply. It is suitable for hotel, campus, factory dormitory and small and medium-sized enterprises.

Unmanaged model, plug and play, no configuration, easy to use.

FEATURE

■ Full gigabit access, gigabit SFP port uplink

- ◇ All series support "gigabit Ethernet port and gigabit SFP fiber port " combination, which enables users to flexibly build networking to meet the needs of various scenarios.
- ◇ Support non-blocking wire-speed forwarding.
- ◇ Support full-duplex based on IEEE802.3x and half-duplex based on backpressure.

■ Intelligent PoE power supply

- ◇ 24*10/100/1000Base-T RJ45 ports, meeting the needs of security monitoring, teleconferencing system, wireless coverage, and other scenarios.
- ◇ IEEE 802.3af/at PoE standard, without damaging non-PoE devices.
- ◇ Priority system for PoE port, it will supply power to the high priority level port first when the power budget is insufficient and avoid overwork of the device.

■ Stable and reliable

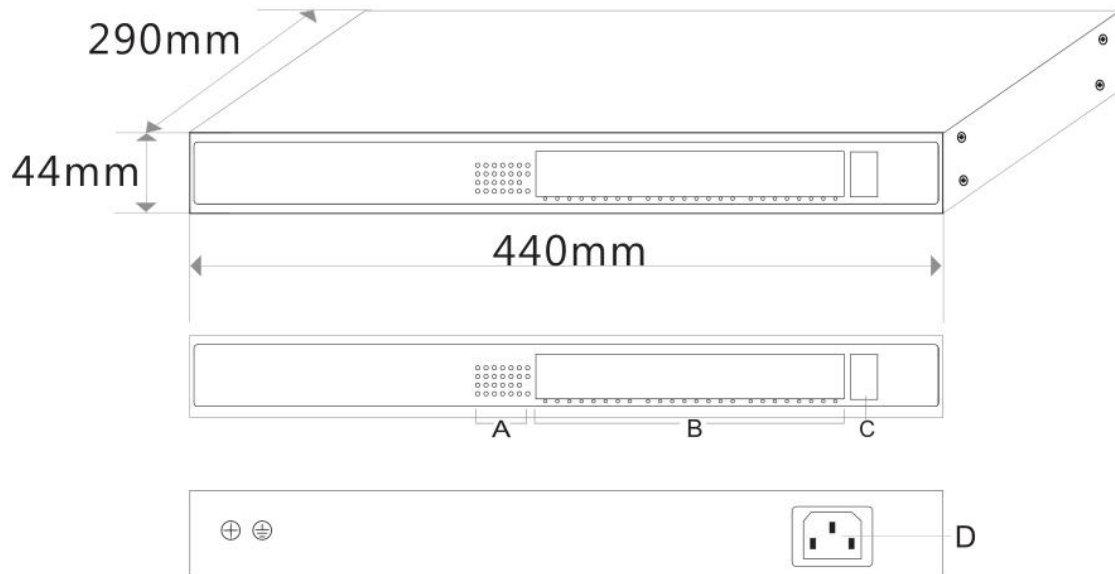
- ◇ Low power consumption, galvanized steel casing. The Fan active cooling.
- ◇ Self-developed power supply, high redundancy design, providing a long term and stable PoE power output.
- ◇ CCC, CE, FCC, RoHS
- ◇ Plug and play, no configuration, simple and convenient.
- ◇ The user-friendly panel, it can show the device status through the LED indicator of PWR, Link ,PoE.

TECHNICAL SPECIFICATION

Model	ONV-POE33024PF	ONV-POE33024PF-at
Interface Characteristics		
Fixed Port	24*10/100/1000Base-T PoE ports (Data /Power) 2*1000Base-X uplink SFP ports (Data)	
Ethernet Port	10/100/1000Base-T(X),Auto-sensing,Full/half duplex MDI/MDI-X self-adaption	
Twisted Pair Transmission	10BASE-T: Cat3,4,5 UTP(≤100 meter) 100BASE-TX: Cat5 or later UTP(≤100 meter) 1000BASE-T: Cat5e or later UTP(≤100 meter)	
SFP Slot Port	Gigabit SFP optical fiber interface, default matching optical modules (optional order single-mode / multi-mode, single fiber / dual fiber optical module. LC)	
Optical Cable	Multi-mode: 850nm 0 ~ 500M, single-mode: 1310nm 0 ~ 40KM, 1550nm 0 ~ 120KM.	
Chip Parameter		
Network Protocol	IEEE802.3 10BASE-T; IEEE802.3i 10Base-T; IEEE802.3u 100Base-TX/FX; IEEE802.3ab 1000Base-TX IEEE802.3z 1000Base-X IEEE802.3x	
Forwarding Mode	Store and Forward(Full Wire Speed)	
Switching Capacity	52Gbps	
Forwarding Rate@64byte	38.69Mpps	
MAC	8K	
Buffer Memory	4M	

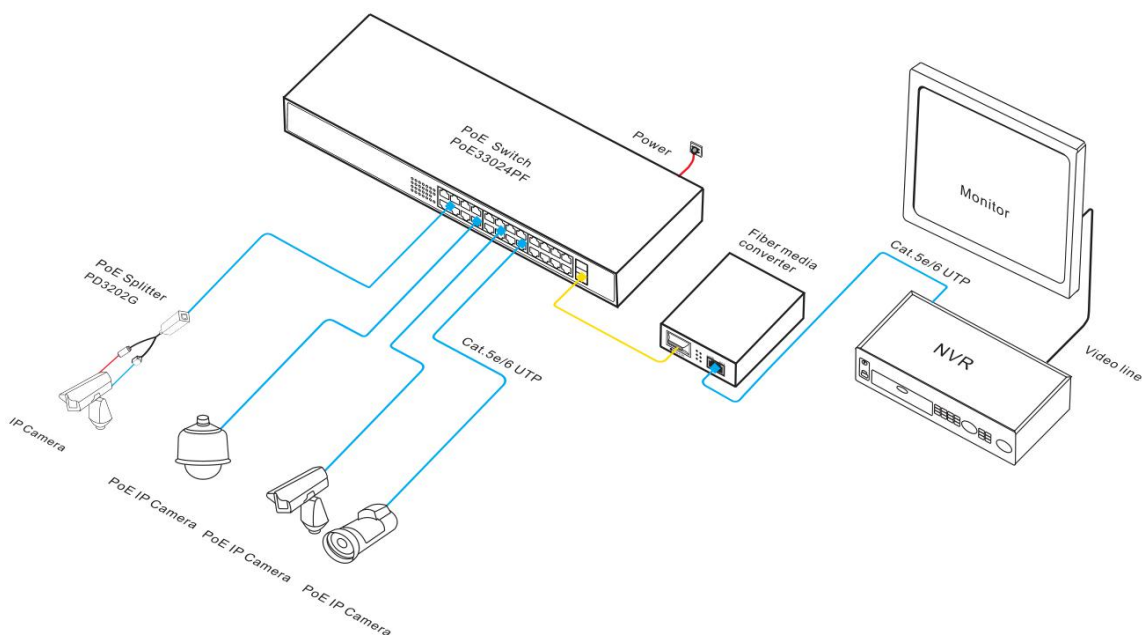
Jumbo Frame	9.6K	
LED Indicator	Power: PWR (green), network: 1-24/G1-2 (green), PoE: PoE (green)	
Reset Switch	Yes, One-button factory reset	
PoE & Power Supply		
PoE Port	Port 1 to 24 IEEE802.3af/at @ POE	
Power Supply Pin	Default 1/2 (+), 3/6 (-)	
Max Power Per Port	30W, IEEE802.3af/at	
Total PWR / Input Voltage	400W (AC100-240V)	600W (AC100-240V)
Power Consumption	Standby<25W, Full load<380W	Standby<26W, Full load<600W
Power Supply	Built-in power supply, AC 100~240V 50-60Hz 5A	Built-in power supply, AC 100~240V 50-60Hz 6.6A
Physical Parameter		
Operation TEMP / Humidity	-20~+55°C;5%~90% RH Non condensing	
Storage TEMP / Humidity	-40~+75°C;5%~95% RH Non condensing	
Dimension (L*W*H)	440*225*44mm	440*290*44.5mm
Net /Gross Weight	<3.5kg / <4.0kg	<4.0kg / <4.8kg
Installation	Desktop, 19 inch 1U cabinet	
Certification & Warranty		
Lightning protection / protection level	Lightning protection: 4KV 8/20us; Protection level: IP30	
Certification	CCC;CE mark, commercial; CE/LVD EN60950;FCC Part 15 Class B; RoHS	
Warranty	3 years, lifelong maintenance.	

DIMENSION



- A. Working Indicator
- B. 24*10/100/1000M PoE Ports
- C. 2*10/100/1000M SFP Ports
- D. Power Input Port AC100-240V, 50/60Hz

APPLICATION



ORDERING INFORMATION

Model	Description	Configure Power Supply
ONV-POE33024PF	Unmanaged PoE fiber switch with 24*10/100/1000M RJ45 ports and 2*1000M uplink SFP fiber slot ports, port 1-24 can support IEEE 802.3af/at PoE standard. Support 1U/19 inch rack installation.	400W
ONV-POE33024PF-at		600W

Note: The SFP optical module is not included by default and needs to be purchased separately.

PACKING LIST

	CONTENT	QTY	UNIT
PACKING LIST	26-port full gigabit PoE fiber switch	1	SET
	AC power cable	1	PC
	Mounting Kits	1	SET
	User Guide	1	PC
	Warranty Card	1	PC

OPTICAL MODULE INFORMATION

Product	Model	Description	Unit
1.25G Optical Module	ONV-2630	SFP optical module, 1.25G, multi mode dual fiber 850nm, transmission distance: 550m, LC interface, support DDM function, support hot plug and pull.	PC
	ONV-2632	SFP optical module, 1.25G, single-mode dual fiber	PC

		1310nm, transmission distance: 20km, LC interface, support DDM function, support hot plug and pull.	
	ONV-2612-T	SFP optical module, 1.25G, single-mode single fiber TX1310nm/RX1550nm, transmission distance: 20km, LC interface, support DDM function, support hot plug and pull.	PC
	ONV-2613-R	SFP optical module, 1.25G, single-mode single fiber TX1550nm/RX1310nm, transmission distance: 20km, LC interface, support DDM function, support hot plug and pull.	PC
	ONV-2612-T-SC	SFP optical module, 1.25G, single-mode single fiber TX1310nm/RX1550nm, transmission distance: 20km, SC interface, support DDM function, support hot plug and pull.	PC
	ONV-2613-R-SC	SFP optical module, 1.25G, single-mode single fiber TX1550nm/RX1310nm, transmission distance: 20km, SC interface, support DDM function, support hot plug and pull.	PC
Power Module	ONV-2633	1.25G SFP optical module transfers to 10/100/1000M RJ45 port.	PC

RELATED PRODUCT

Model	Description
ONV-POE33108PF	Unmanaged PoE fiber switch with 8*10/100/1000M RJ45 ports and 2*1000M uplink SFP fiber slot ports, Port 1-8 can support IEEE802.3af/at PoE standard. Built-in 130W power supply. Support 1U/19 inch rack installation.

ONV-POE33128PF	Unmanaged PoE fiber switch with 10*10/100/1000M RJ45 ports and 2*1000M uplink SFP fiber slot ports, Port 1-8 can support IEEE802.3af/at PoE standard. Built-in 130W power supply. Support 1U/19 inch rack installation.
ONV-POE33016PF	Unmanaged PoE fiber switch with 16*10/100/1000M RJ45 ports and 2*1000M uplink SFP fiber slot ports, Port 1-16 can support IEEE802.3af/at PoE standard. Built-in 250W power supply. Support 1U/19 inch rack installation.
ONV-POE33020PF	Unmanaged PoE fiber switch with 18*10/100/1000M RJ45 ports and 2*1000M uplink SFP fiber slot ports, Port 1-16 can support IEEE802.3af/at PoE standard. Built-in 250W power supply. Support 1U/19 inch rack installation.
ONV-POE33028PF	Unmanaged PoE fiber switch with 26*10/100/1000M RJ45 ports and 2*1000M uplink SFP fiber slot ports, Port 1-24 can support IEEE802.3af/at PoE standard. Built-in 400W power supply. Support 1U/19 inch rack installation.

CONTACT US



Optical Network Video Technologies (Shenzhen) Co., Ltd.

Tel: 0086-755-33376606

Fax: 0086-755-33376608

Email: onv@onv.com.cn

Website: www.onvcom.com

Headquarter Address: Room 1003, Block D, Terra Building, Futian District, Shenzhen, China

Factory Address: The 4-6th Floor, No. 59, Huaning Road, Xinwei Community, Dalang Street,

Longhua District, Shenzhen, China

